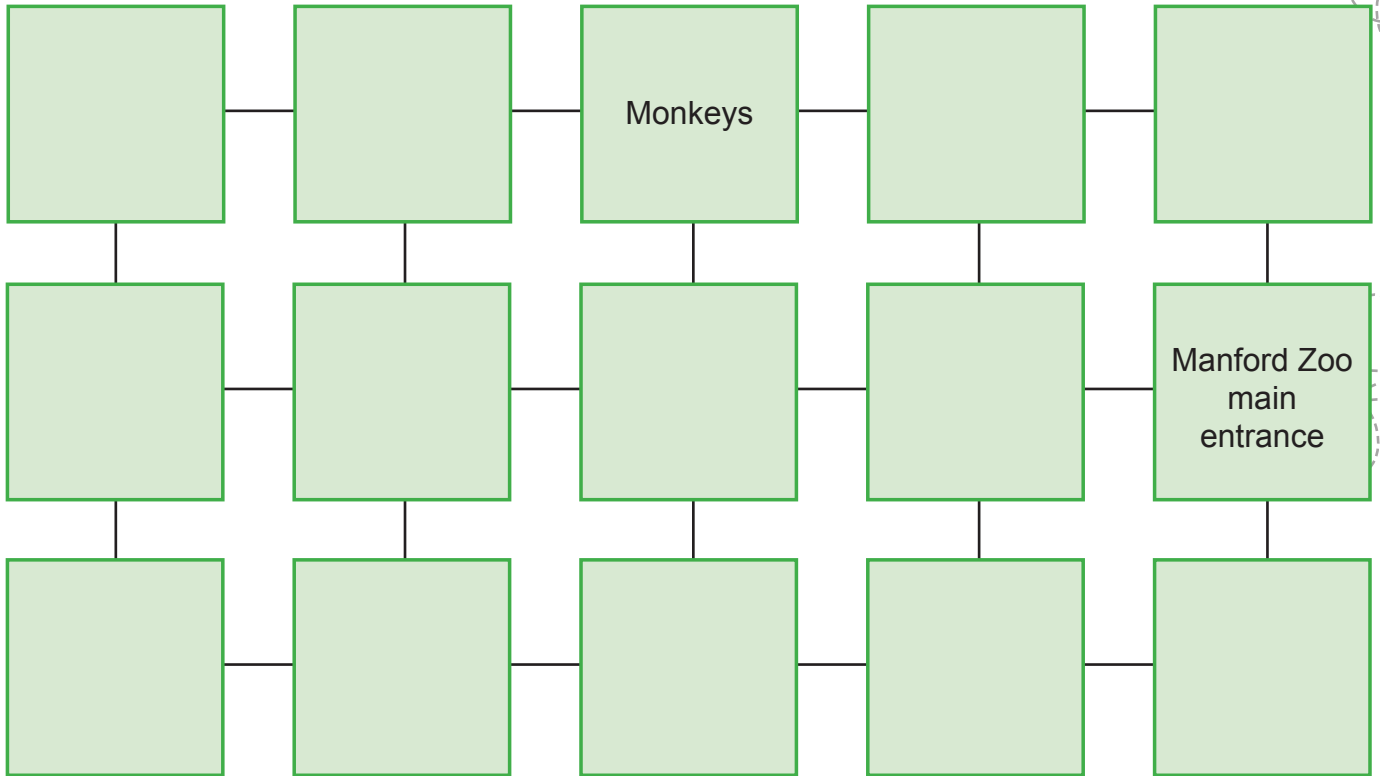




Supplementary problem 1

The main entrance to Manford Zoo lies at F10 on the tourist map of the city. To see the monkeys, visitors must walk 800 metres south from the entrance and then 400 metres west.



The diagram shows the layout of the features of the Zoo.

Use the clues to work out where the various features are. Write them in the boxes.

Clues

- ▶ The llamas are to the south-west of the main entrance.
- ▶ The main entrance is to the north-west of the goods entrance.
- ▶ The monkeys and the penguins are to the south-west of the polar bears.
- ▶ The zebras are to the south-east of the monkeys and to the north of the reptiles.
- ▶ The monkeys are to the north-west of the pandas and south of the camels.
- ▶ The aviary is next to the giraffes and south-west of the tea rooms.
- ▶ The dolphins are between the goods entrance and the side gate.

On the tourist map of Manford, what are the grid references for these?

a The side gate _____

b The giraffes _____